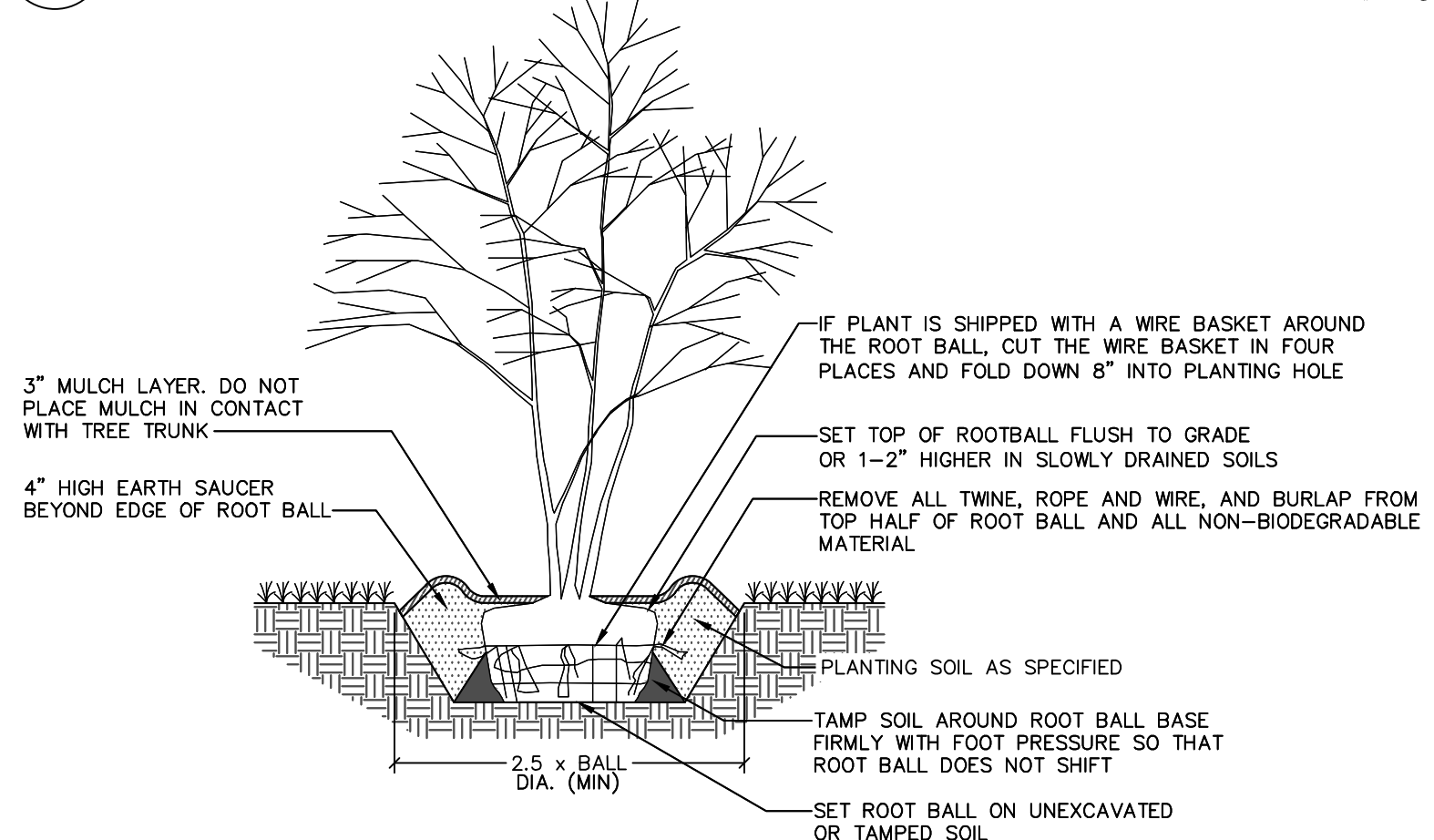
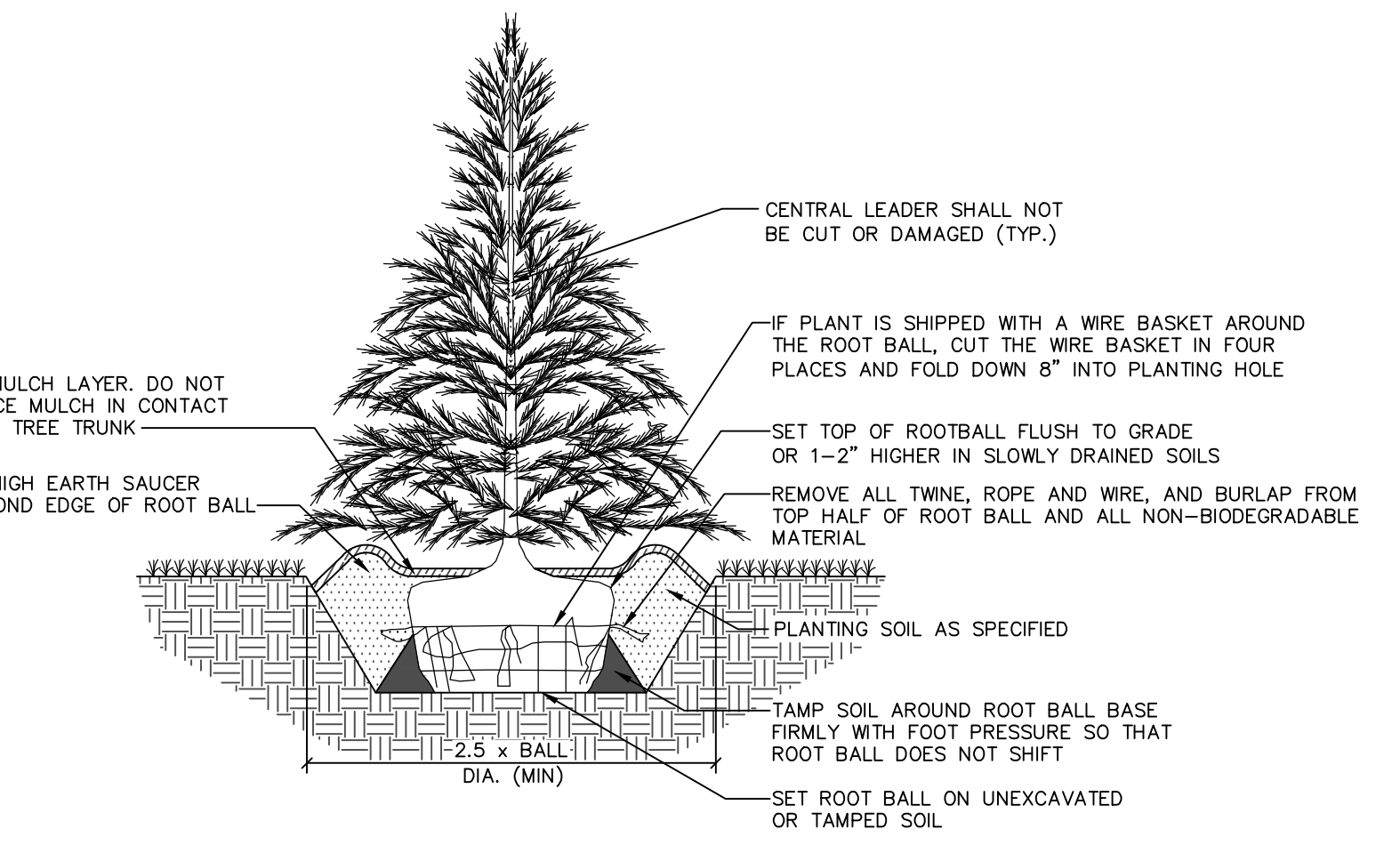


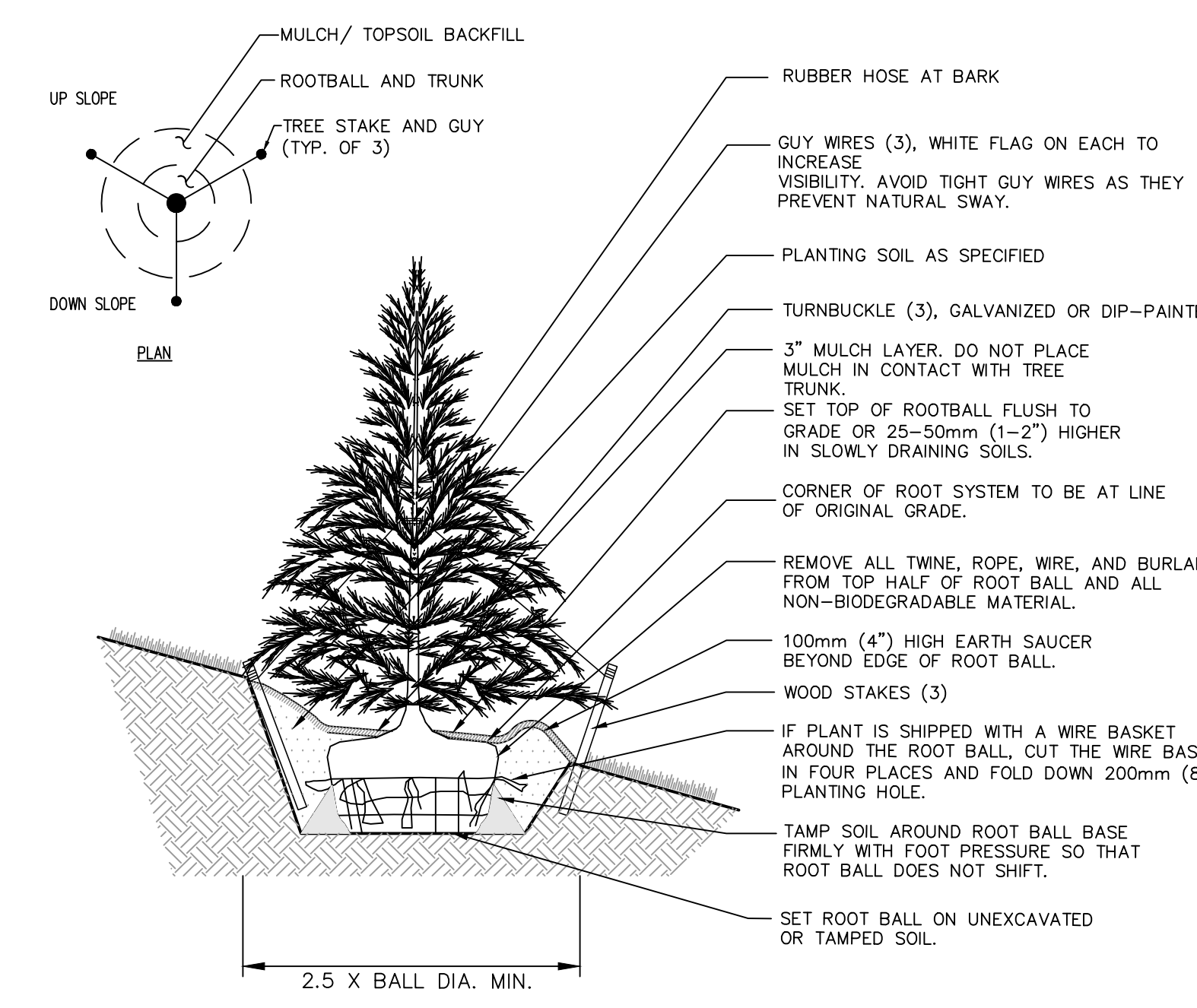
1 DECIDUOUS TREE PLANTING NTS



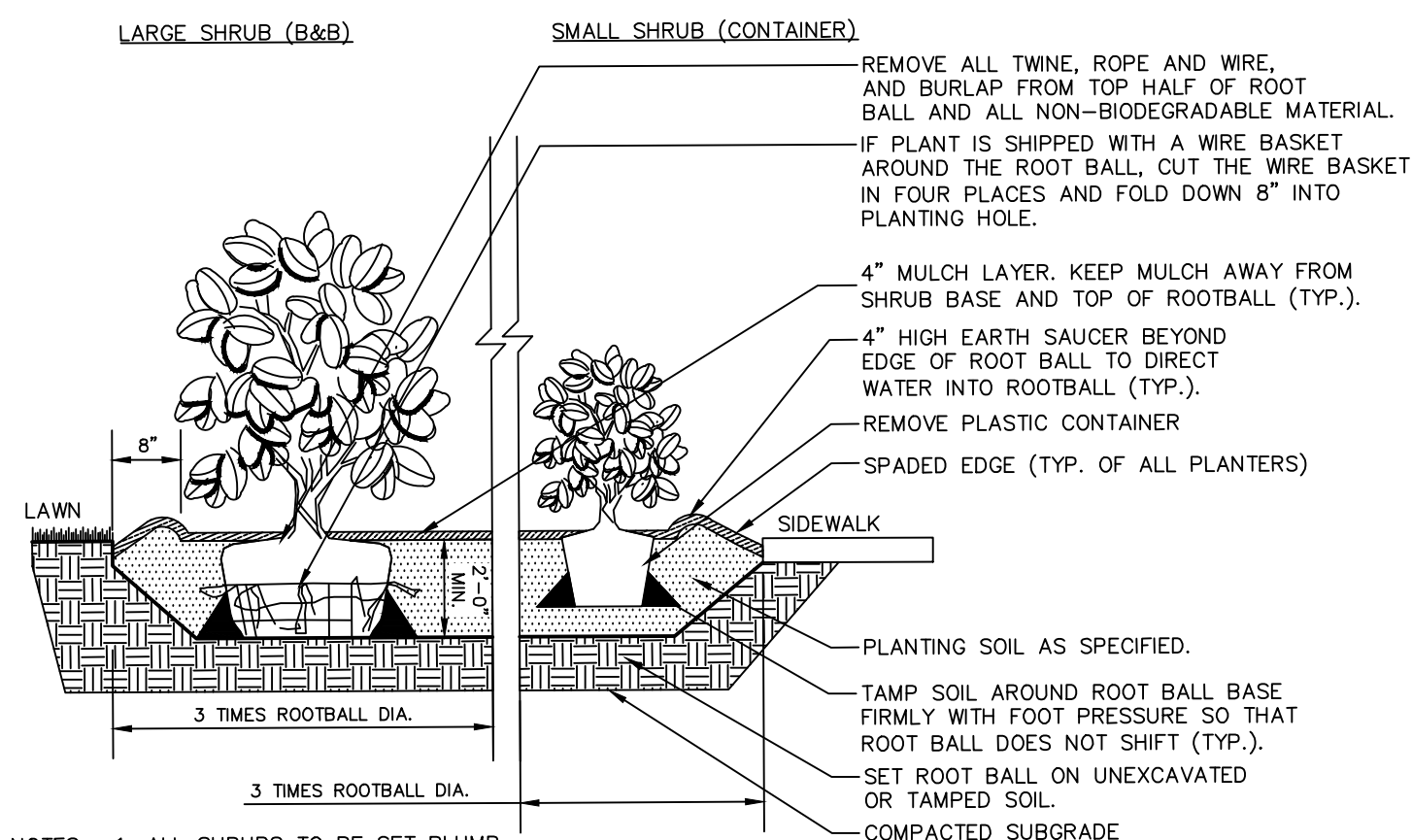
2 ORNAMENTAL TREE PLANTING NTS



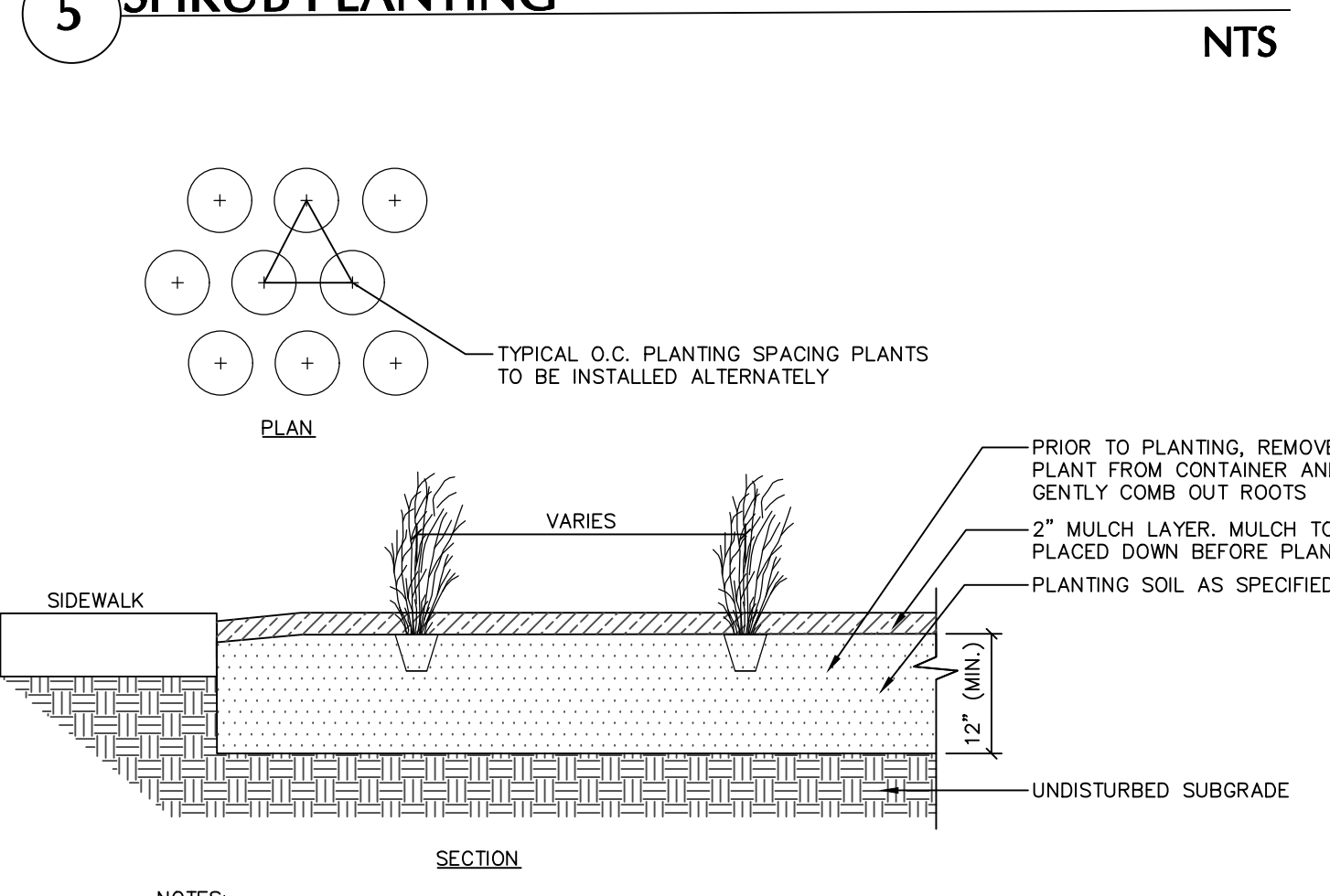
3 EVERGREEN TREE PLANTING NTS



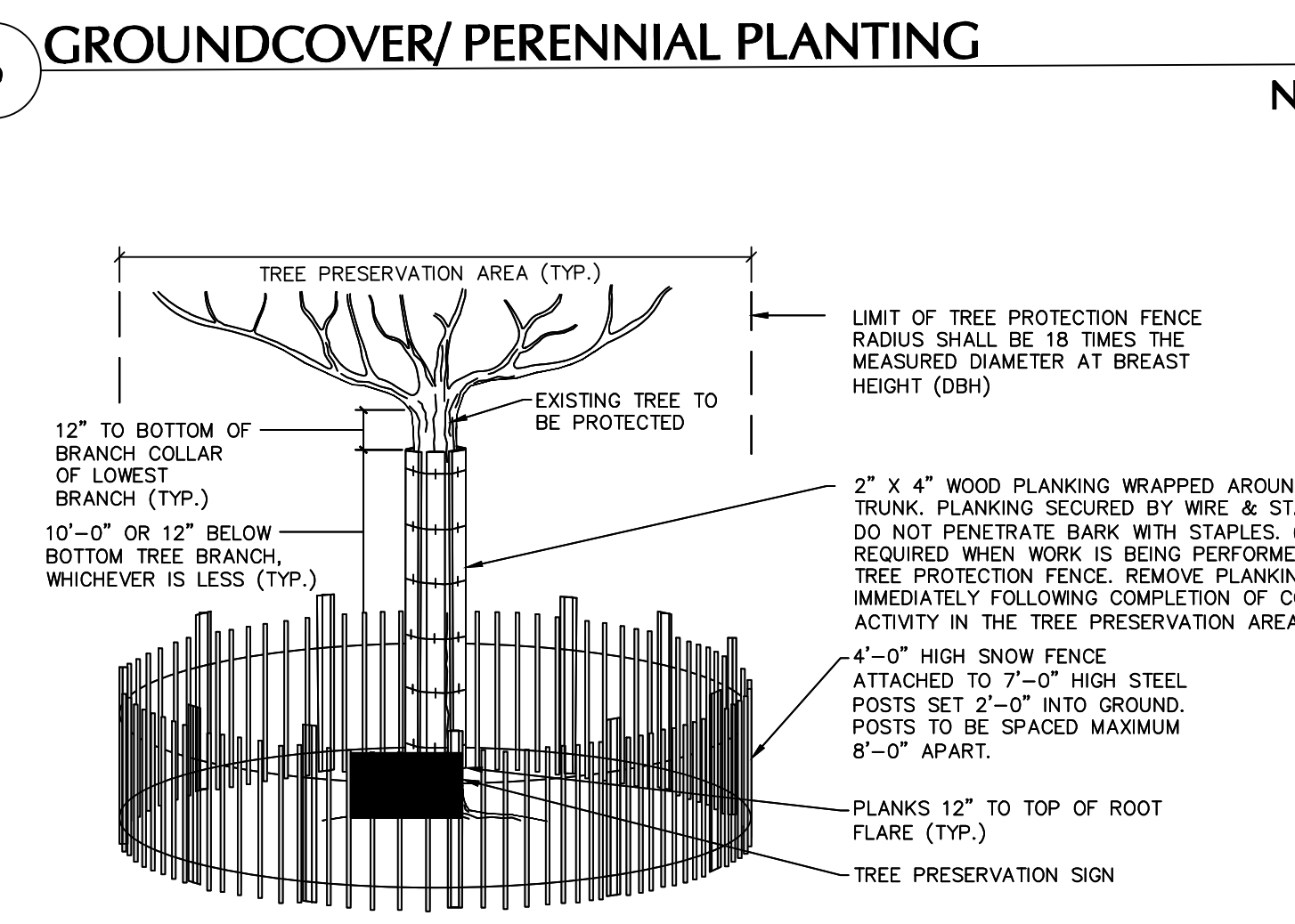
4 EVERGREEN TREE PLANTING ON SLOPE > 3:1 NTS



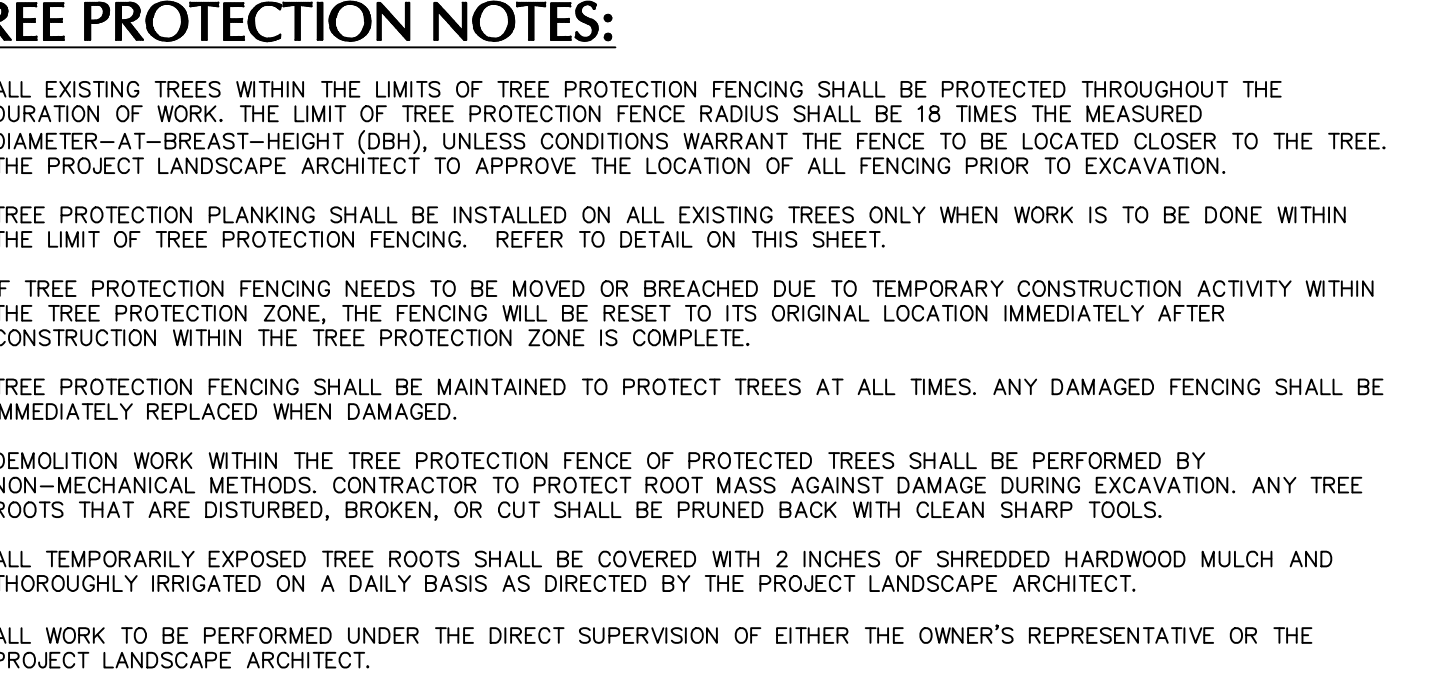
5 SHRUB PLANTING NTS



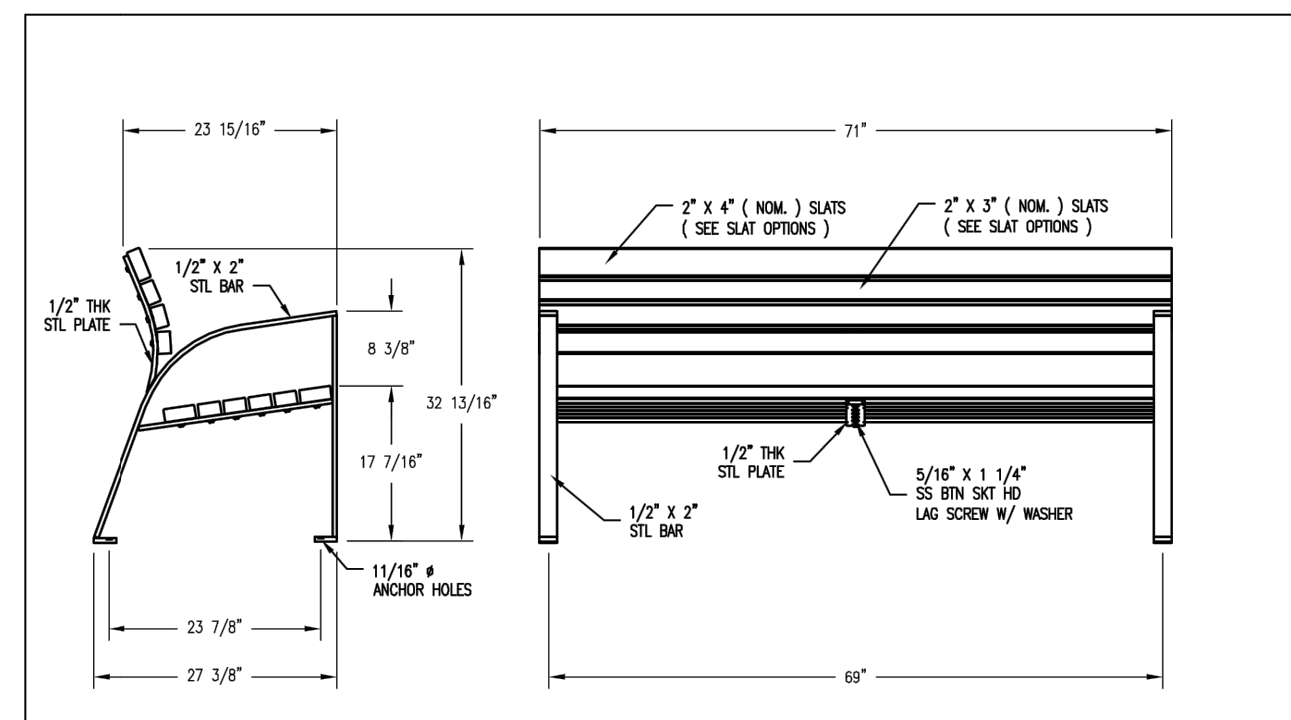
6 GROUNDCOVER/PERENNIAL PLANTING NTS



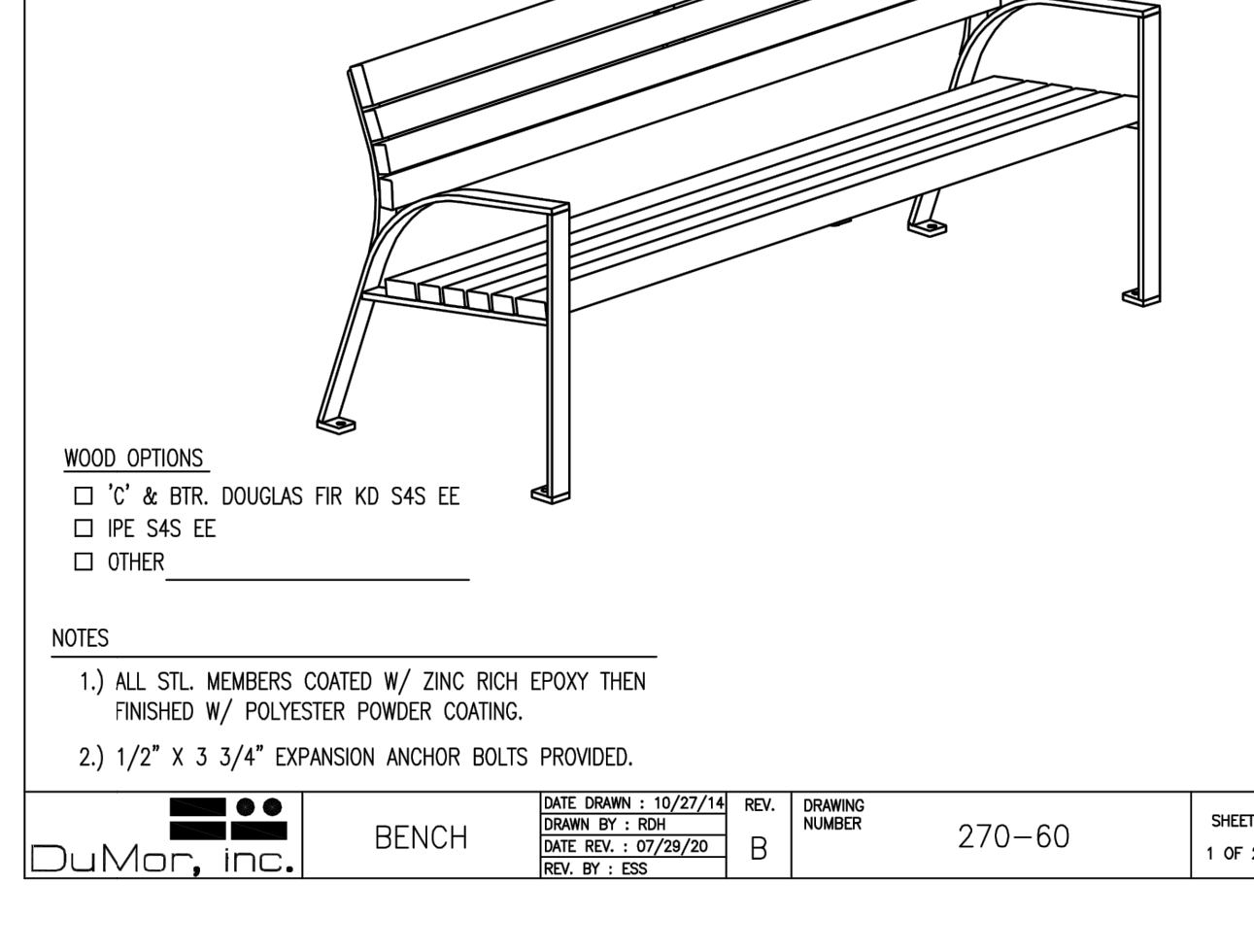
7 TREE PROTECTION FENCING AND TREE PLANKING NTS



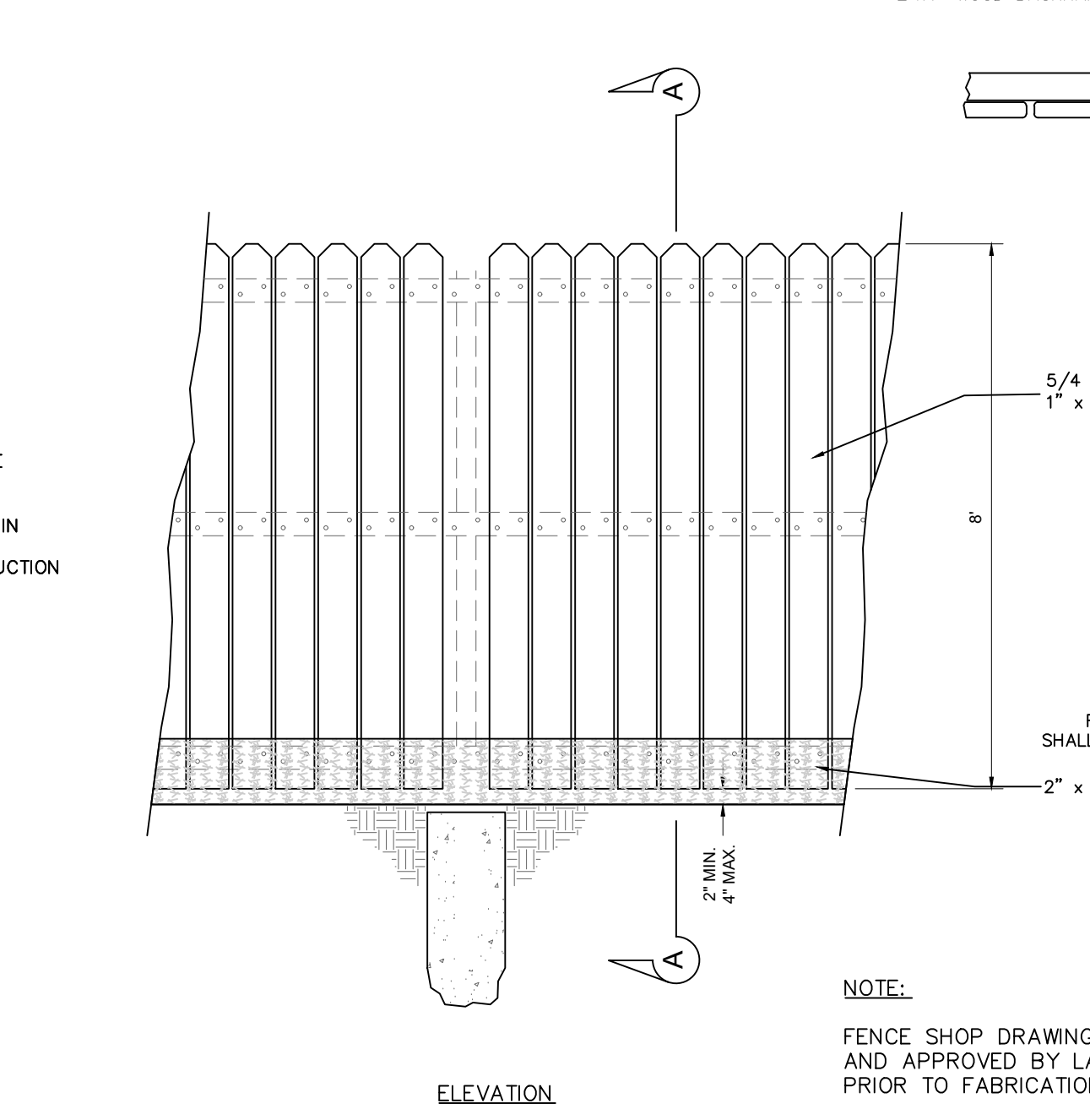
8 GRAVEL STRIP NTS



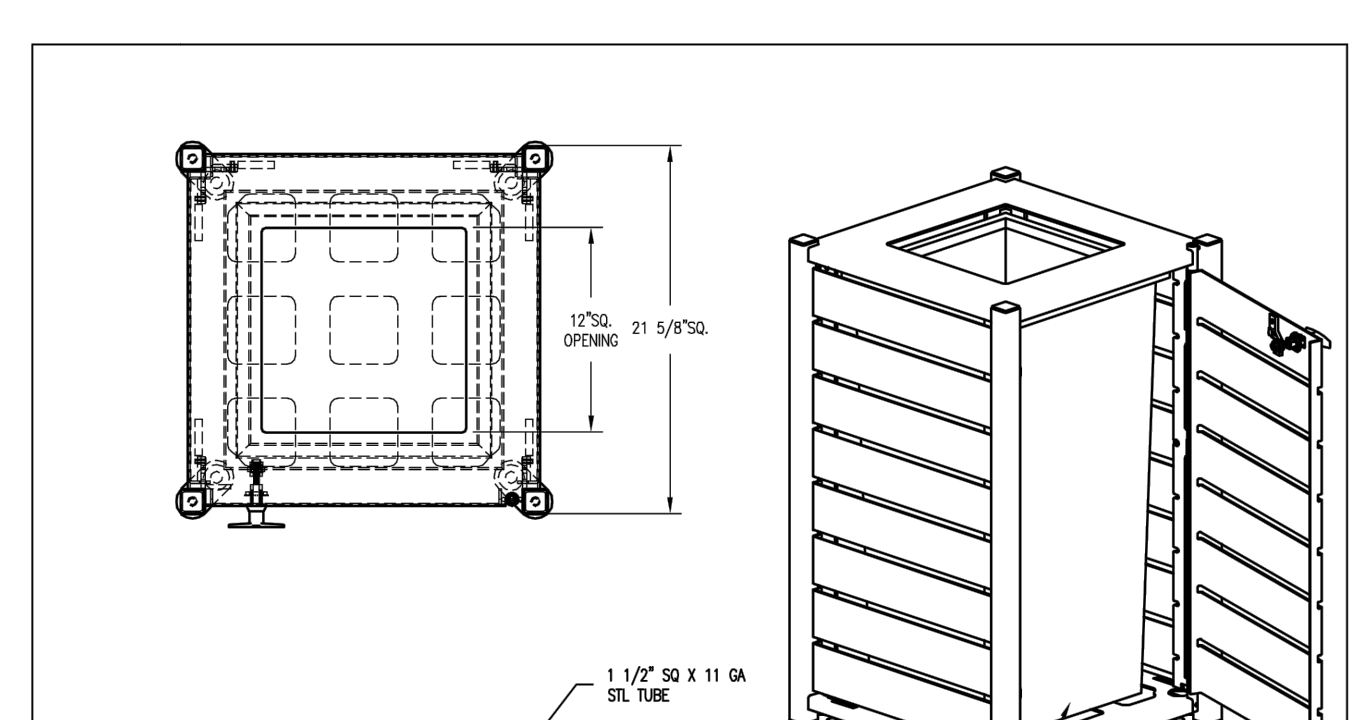
9 BENCH NTS



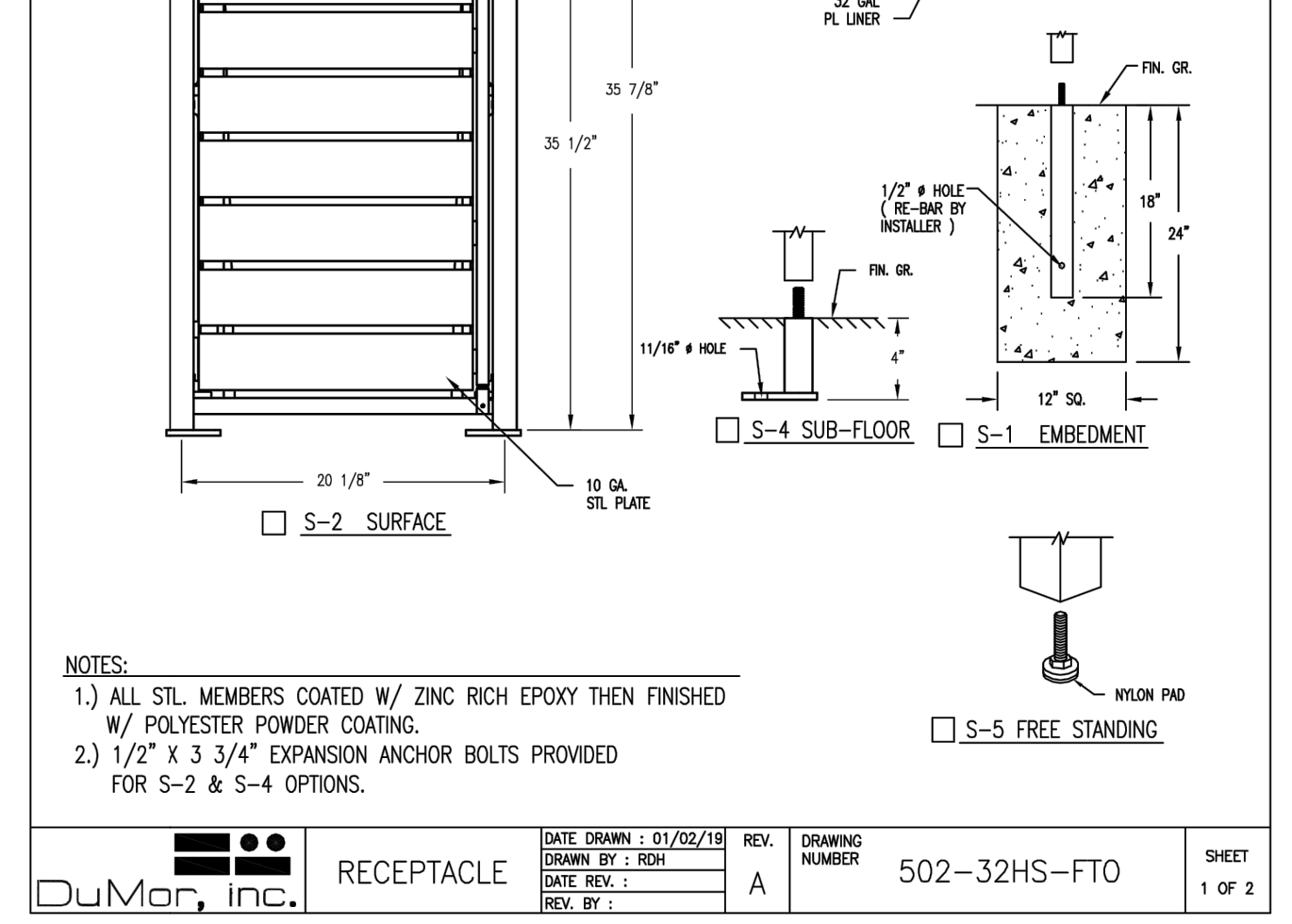
10 8-FT HIGH WOOD PRIVACY FENCE NTS



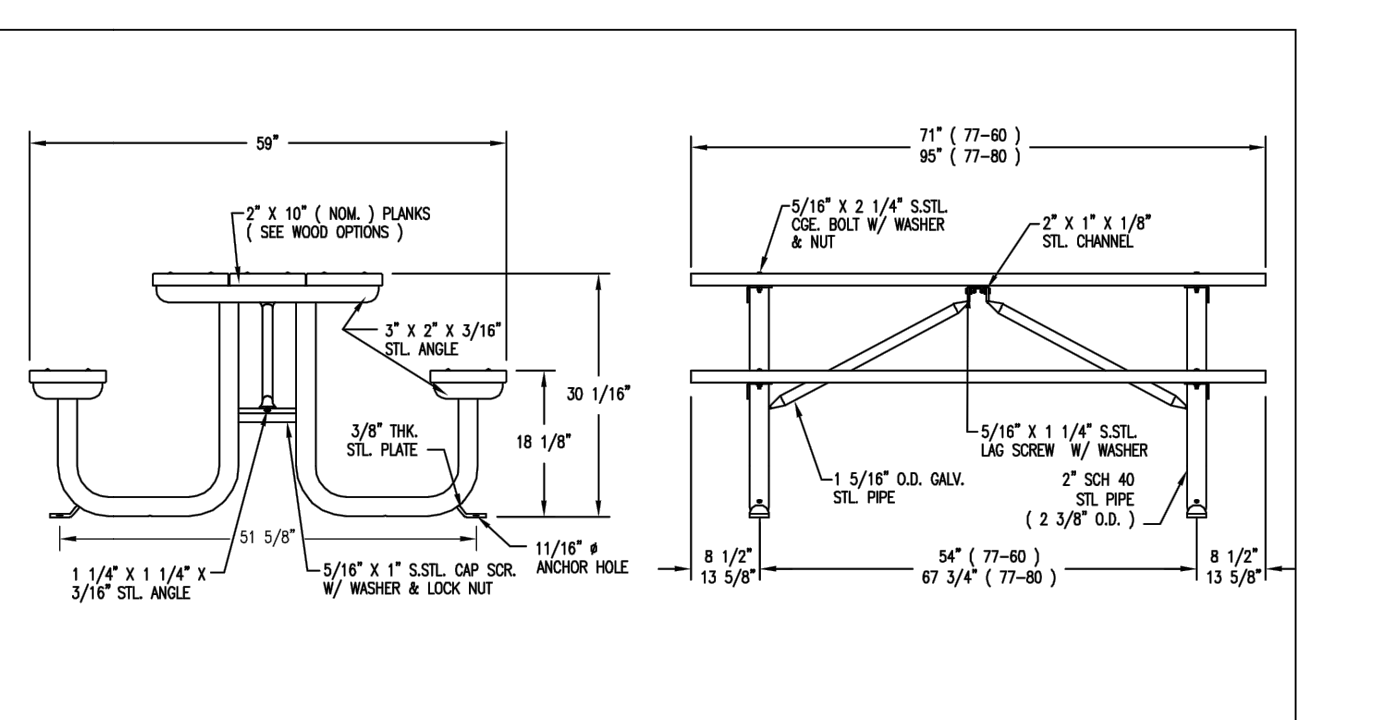
11 BIKE RACK NTS



12 TRASH RECEPTACLE NTS



13 BIRD NESTING BOX AND SUPPORT NTS

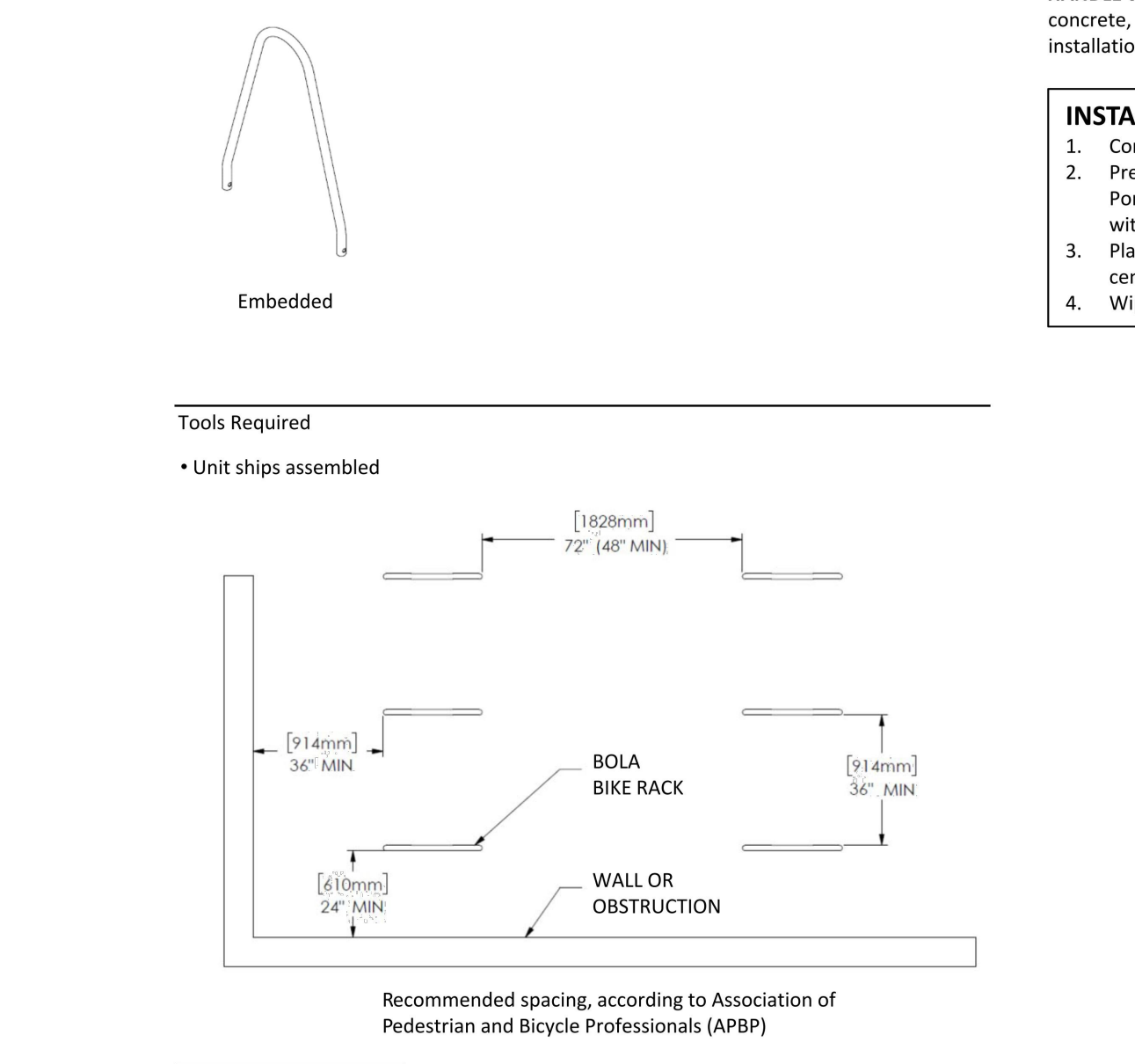


14 PICNIC TABLE NTS

TREE PROTECTION NOTES:

- ALL EXISTING TREES WITHIN THE LIMITS OF TREE PROTECTION FENCING SHALL BE PROTECTED THROUGHOUT THE DURATION OF WORK. THE LIMIT OF TREE PROTECTION FENCE RADIUS SHALL BE 18 TIMES THE MEASURED DIAMETER AT-BREAST-HEIGHT (DBH), UNLESS CONDITIONS WARRANT THE FENCE TO BE LOCATED CLOSER TO THE TREE. THE PROJECT LANDSCAPE ARCHITECT TO APPROVE THE LOCATION OF ALL FENCING PRIOR TO EXCAVATION.
- TREE PROTECTION PLANKING SHALL BE INSTALLED ON ALL EXISTING TREES ONLY WHEN WORK IS TO BE DONE WITHIN THE LIMIT OF TREE PROTECTION FENCING. REFER TO DETAIL ON THIS SHEET.
- IF TREE PROTECTION FENCING NEEDS TO BE MOVED OR BREACHED DUE TO TEMPORARY CONSTRUCTION ACTIVITY WITHIN THE TREE PROTECTION ZONE, THE FENCING WILL BE RESET TO ITS ORIGINAL LOCATION IMMEDIATELY AFTER CONSTRUCTION WITHIN THE TREE PROTECTION ZONE IS COMPLETE.
- TREE PROTECTION FENCING SHALL BE MAINTAINED TO PROTECT TREES AT ALL TIMES. ANY DAMAGED FENCING SHALL BE IMMEDIATELY REPLACED WHEN DAMAGED.
- DEMOLITION WORK WITHIN THE TREE PROTECTION FENCE OF PROTECTED TREES SHALL BE PERFORMED BY NON-MECHANICAL METHODS. CONTRACTOR TO PROTECT ROOT MASS AGAINST DAMAGE DURING EXCAVATION. ANY TREE ROOTS THAT ARE DISTURBED, BROKEN, OR CUT SHALL BE PRUNED BACK WITH CLEAN SHARP TOOLS.
- ALL TEMPORARILY EXPOSED TREE ROOTS SHALL BE COVERED WITH 2 INCHES OF SHREDDED HARDWOOD MULCH AND THOROUGHLY IRRIGATED ON A DAILY BASIS AS DIRECTED BY THE PROJECT LANDSCAPE ARCHITECT.
- ALL WORK TO BE PERFORMED UNDER THE DIRECT SUPERVISION OF EITHER THE OWNER'S REPRESENTATIVE OR THE PROJECT LANDSCAPE ARCHITECT.

Bola® Bike Rack
Installation Guide
Date: September 8, 2016
www.landscapelforms.com Ph: 800.521.2546

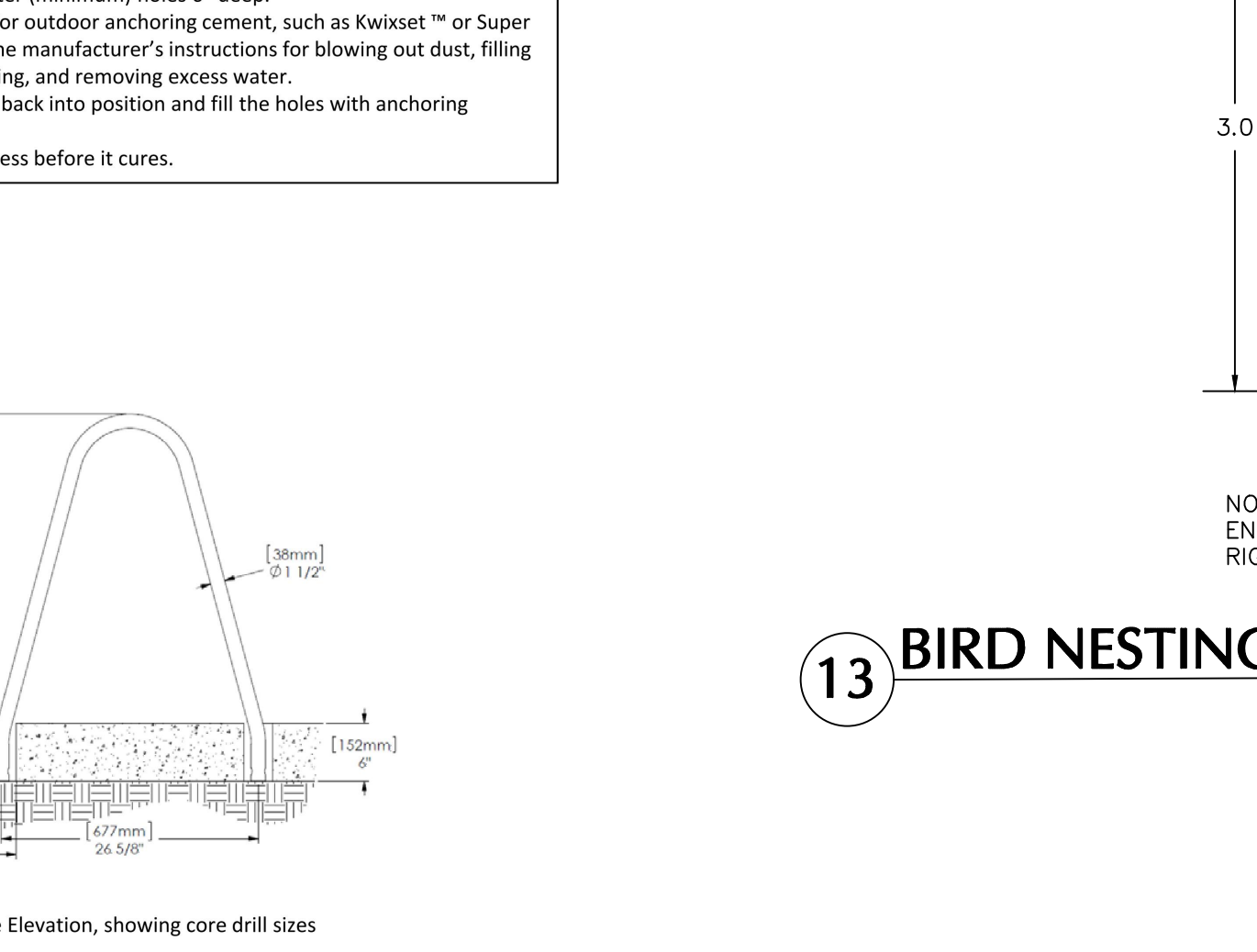


11 BIKE RACK NTS

HANDLE WITH CARE! Bola's finish can be scuffed by contact with tools, concrete, or other abrasive surfaces. Protect the finish from damage during installation. Use touch-up paint to repair any powder coat finish abrasions.

INSTALLATION:

- Core drill 3" diameter (minimum) holes 6" deep.
- Prepare the holes for outdoor anchoring cement, such as Kwikset™ or Super Por-rok™. Follow the manufacturer's instructions for blowing out dust, filling with water, scrubbing, and removing excess water.
- Place the bike rack back into position and fill the holes with anchoring cement.
- Wipe away any excess before it cures.



13 BIRD NESTING BOX AND SUPPORT NTS

2/15/2022	Revised per Township Comments	2
12/3/2021	Completeness Revisions 1	1
Date	Description	No.

REVISIONS

SIGNATURE: *JOS*
DATE SIGNED: _____
LANDSCAPE ARCHITECT NJ Lic. No. 21AS00045700

LANGAN
Langan Engineering and Environmental Services, Inc.
988 Lenox Drive, Suite 124
Lawrenceville, NJ 08648

T: 609.282.8000 F: 609.282.8001 www.langan.com
NJ CERTIFICATE OF AUTHORIZATION No. 246A2798460

Project: **BRIDGE POINT 8 INDUSTRIAL PARK**

WEST WINDSOR TOWNSHIP

MERCER COUNTY NEW JERSEY

Drawing Title: **LANDSCAPE NOTES AND DETAILS**

Project No. 130172801
Date 12/03/2021
Drawn By KK
Checked By AP/IOS

Drawing No. **LP502**

Page 1 of 1

Date: 2/14/2022 Time: 16:47 User: kksinger Style Table: Langan.stb Layout: LP502 Document Code: 130172801-0501-LP501-0101